

Modular Plugs0-2 to 0-3

Modular Jacks

Right Angle

High Speed	0-3 to 0-5
SMT	0-5 to 0-6
Ganged	0-6 to 0-7
SMT	0-8 to 0-11
Low Profile	0-11 to 0-13
Ganged	0-13
Standard Profile	0-14
Inverted	0-15 to 0-16
Ganged	0-17 to 0-18

Vertical

High Speed	0-18 to 0-19
SMT	0-19 to 0-20
Low Profile	0-20 to 0-21
Standard Profile	0-21 to 0-23
Bottom-Entry, Low Profile	0-24

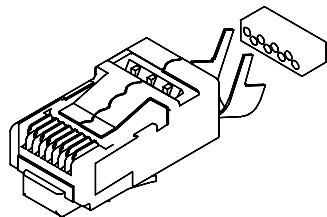
Visit www.molex.com to access more part numbers and product information, download sales drawings, product specifications, 3D models, place sample requests, and more.

Modular Plug

44915

RJ-45/FCC 68

Long Body, 8 Position



Features and Benefits

- Meets Category 6 channel performance
- Dual-row contacts reduce crosstalk between critical pairs
- Load bar provides consistent termination of twisted pairs
- Shielded version available with or without strain relief
- Terminated with industry-standard RJ-45 application tooling

Reference Information

Product Specification: PS-44915-003
 Packaging: Bulk
 UL File No.: E107635
 Mates With: FCC 68 Jacks
 Designed In: Inches

Electrical

Voltage: 125V
 Current: 1.5A
 Contact Resistance: 20 milliohms max.
 Dielectric Withstanding Voltage: 1000V AC
 Insulation Resistance: 500 Megohms min.

Mechanical

Durability: 500 cycles

Physical

Housing: Polycarbonate, UL 94V-0
 Contact: Phosphor bronze
 Plating: Contact Area—1.27 μ m (50 μ in) min. Gold
 Nickel overall

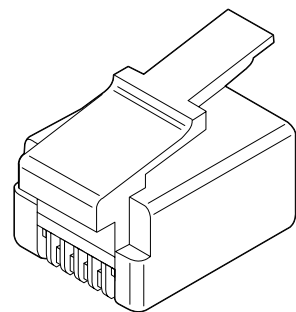
Circuits	Loaded Contacts	Strain Relief	Order No.		Lead-free
			Unshielded	Shielded	
8	8	No	44915-0001	44915-0011	Yes
		Yes		44915-0021	

Modular Plug

90075

FCC 68

Short Body



Features and Benefits

- Pre-assembled contacts
- To terminate flat oval telephone cord to REA
- Bulletin 345-80, PE 75
- 4-, 6- and 8-way loaded or partially loaded

Reference Information

Product Specification: PS-90075-E
 Packaging: Bag
 UL File No.: E107635
 Mates With: WE Co. and FCC 68 jacks
 Designed In: Millimeters

Electrical

Voltage: 125V
 Current: 1.5A
 Contact Resistance: 20 milliohms max.
 Dielectric Withstanding Voltage: 1000V rms
 Insulation Resistance: 500 Megohms min.

Mechanical

Cable to Plug Tensile Strength: 7.71kg (17 lb) min.

Physical

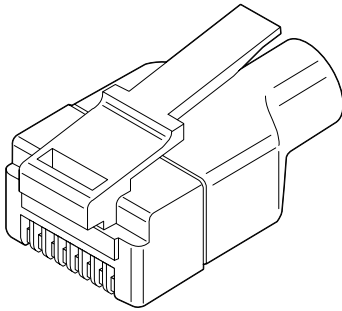
Housing: Natural polycarbonate, UL 94V-2
 Contact: Phosphor Bronze
 Plating: 1.27 μ m (50 μ in) Gold in contact area and
 Tin in pierce area, both over Nickel

Circuits	Order No.	Loaded Contacts	Lead-free
4	90075-0027	4	Yes
6	90075-0035	4	
6	90075-0031	6	
8	90075-0141	8	

Modular Plug

95043

8 Position, Shielded



Features and Benefits

- Eight-way RJ-45 fully shielded plug
- One-piece dual-function shield for optimal strain relief (hex crimp) and 360° shielding
- Selectively Gold-plated contact
- Terminates with 5.40 or 6.00mm LAN, STP or ISDN recommended round cables
- Rubber boot for ideal grip, color coded for line tracing and different network types
- Meets CAT 5 to EIA/TIA 568 B requirements (100 Mbits/s)

Reference Information

Product Specification: PS-95043-F
 Packaging: Bag
 UL File No.: E107635
 CSA File No.: LR19980-478
 Mates With: WE Co. and FCC 68 jacks

Electrical

Voltage: 125V
 Current: 1.5A
 Contact Resistance: 20 milliohms max.
 Dielectric Withstanding Voltage: 1000V rms
 Insulation Resistance: 500 Megohms min.

Mechanical

Cable to Plug Tensile Strength: 10kg (21 lb) min.

Physical

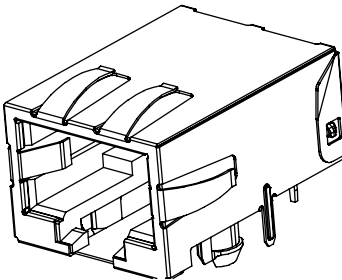
Housing: Natural polycarbonate, UL 94V-2
 Contact: Phosphor Bronze
 Plating: 1.27µm (50µ") Gold in contact area and Tin in pierce area, both over Nickel

Circuits	Order No.		Loaded Contacts	Boot Color	Lead-free
	For 5.40mm Cable	For 6.00mm Cable			
8	95043-2891	95043-5891	8	Black	Yes
	95043-2892	95043-5892	8	Beige/Gray	
	95043-2893	95043-5893	8	Green	
	95043-2894	95043-5894	8	Red	
	95043-2895	95043-5895	8	Yellow	
	95043-2896	95043-5896	8	Blue	
	95043-2881	95043-5881	8	Without boot	

Modular Jack

44661

High Speed, Right Angle Ultra Low Profile Shielded and Unshielded Versions



Features and Benefits

- Under 10.00mm (.394") in height
- Exceeds Category 5 performance
- Gigabit Ethernet compatible
- Enclosed top
- Shield with various ground options
- Industry standard footprint
- 100% tested for hi-pot and continuity

Reference Information

Product Specification: PS-44560-003
 Packaging: Tray
 UL File No.: E107635
 CSA File No.: LR19980
 Mates With: FCC 68 Plugs
 Designed In: Inches

Electrical

Voltage: 125V
 Current: 1.5A
 Contact Resistance: 25 milliohms max.
 Dielectric Withstanding Voltage: 1000V AC
 Insulation Resistance: 500 Megohms min.

Mechanical

Durability: 750 cycles min.

Physical

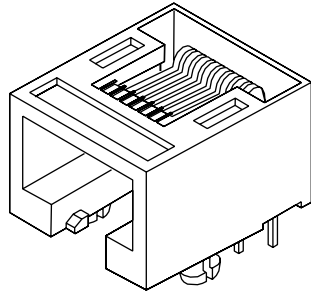
Housing: Black glass-filled nylon, UL 94V-0
 Contact: Phosphor Bronze
 Plating: Contact Area—1.27µm (50µ") min. Gold
 Solder Tails—2.54µm (100µ") min. Tin
 Nickel Overall

Circuits	Loaded Contacts	Shield Option	Order No.		Lead-free
			Snap-Fit Pegs	Press-Fit Pegs	
8	8	No Shield	44661-0002	44661-1002	Yes
		Standard Shield	44661-0001	44661-1001	
		Enhanced Ground Tabs	44661-0011	44661-1011	
		Bezel Ground Tabs	44661-0021	44661-1021	

Modular Jack

85503

**High-Speed, Right Angle
Low Profile**



Features and Benefits

- Performance better than category 5E
- Very low profile—about 3/4 that of industry standard
- Automatic placement possible
- Foot pattern identical to industry standard
- High reliability, square contact

Reference Information

Product Specification: PS-95001-E
 Packaging: Tray and Tube
 UL File No.: E107635
 Mates With: FCC 68 plugs
 Designed In: Millimeters

Electrical

Voltage: 125V
 Current: 1.5A
 Contact Resistance: 20 milliohms max.
 Dielectric Withstanding Voltage: 1000V
 Insulation Resistance: 500 Megohms min.

Physical

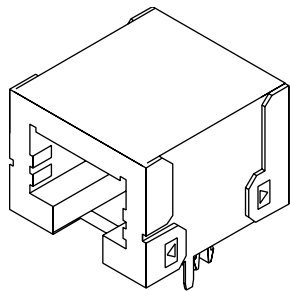
Housing: Black LCP, UL 94V-0
 Contact: Phosphor Bronze
 Plating: Post plate 1.27 to 1.52 μ m (50 to 60 μ in) Gold in contact area, 1.90 μ m (75 μ in) min. pure Tin in tail area both over Nickel overall

Circuits	Loaded Contacts	Order No.	Packaging	Description	Lead-free
8	8	85503-0001	Tray		Yes
		85503-0002	Tube		
		85503-0005	Tray	With Insulation Cover	

Modular Jack

85505

**High-Speed, Right Angle
Low Profile, Shielded**



Features and Benefits

- Performance better than category 5E
- Fully shielded connectors
- Advanced EMI/RFI protection
- ISDN standard
- Industry standard footprint and height

Reference Information

Product Specification: PS-85505
 Packaging: Tray
 UL File No.: E107635
 Mates With: FCC 68 plugs
 Designed In: Millimeters

Electrical

Voltage: 125V
 Current: 1.5A
 Contact Resistance: 20 milliohms max.
 Dielectric Withstanding Voltage: 1000V AC
 Insulation Resistance: 500 Megohms min.
 Shielding Effectiveness: 20 dB min.

Physical

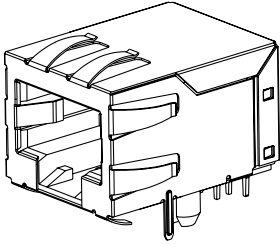
Housing: Black LCP, UL 94V-0
 Contact: Phosphor Bronze
 Plating: Post plate 1.27 to 1.52 μ m (50 to 60 μ in) Gold in contact area, 1.90 μ m (75 μ in) min. pure Tin in tail area both over Nickel overall

Circuits	Loaded Contacts	Order No.	Panel Ground	Lead-free
8	8	85505-0002	Sides	Yes
		85505-0013	No	
		85505-0014	Top	

Modular Jack

44050

**High Speed, Right Angle
Low Profile
Shielded and Unshielded Versions**



Features and Benefits

- Exceeds Category 5 performance
- Gigabit Ethernet compatible
- Enclosed top
- Industry Standard Footprint
- Shield with enhanced panel grounding tabs
- 100% tested for hi-pot continuity

Reference Information

Product Specification: PS-44050-003
 Packaging: Tray
 UL File No.: E107635
 CSA File No.: LR19980
 Mates with: FCC68 plugs
 Designed In: Inches

Electrical

Voltage: 125V
 Current: 1.5A
 Contact Resistance: 20 milliohms max.
 Dielectric Withstanding Voltage: 1000V AC
 Insulation Resistance: 500 Megohms min.

Mechanical

Durability: 500 cycles min.

Physical

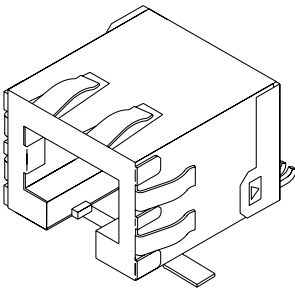
Housing: Black glass-filled nylon, UL 94V-0
 Contact: Phosphor Bronze
 Plating: Contact Area—1.27µm (50µ") min. Gold
 Solder Tails—2.54µm (100µ") min. Tin, Nickel overall

Circuits	Loaded Contacts	Order No.				Lead-free
		Unshielded	Shielded			
			With All Panel Grounding Tabs			
		Front PCB Ground Tab Option	Rear PCB Ground Tab Option	Front PCB Ground Tab Option	Rear PCB Ground Tab Option	
8	8	44050-0001				Yes
			44050-0007		44050-0009	
			44050-0002		44050-0004	
			44050-0006		44050-0008	
				44050-0003	44050-0005	

Modular Jack

85543

**High Speed, SMT
Right Angle, Low Profile, Shielded**



Features and Benefits

- Fully-shielded connector
- Shield with enhanced panel grounding tabs
- Exceeds Category 5 performance
- Automatic vacuum placement

Reference Information

Product Specification: PS-95122 and PS-85505 (Section 5.2)
 Packaging: Antistatic blister tape on reels
 Mates With: FCC68 plugs
 Designed In: Millimeters

Electrical

Voltage: 125V
 Current: 1.5A
 Contact Resistance: 20 milliohms max.
 Dielectric Withstanding Voltage: 1000V
 Insulation Resistance: 500 Megohms min.
 Shielding Effectiveness: 20dB min.

Physical

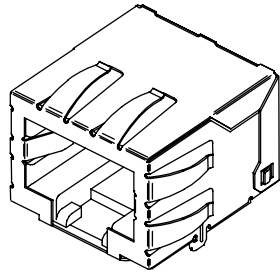
Housing: Black LCP, UL 94V-0
 Contact: Phosphor Bronze
 Plating: Contact Area—Post plate 1.27 to 1.52mm (50 to 60µ") Gold
 Solder Tail Area—1.90mm (75µ") min. Tin
 Underplating—Nickel

Circuits	Loaded Contacts	Order No.	Grounding Tabs	SMT	Lead-free
8	8	85543-0001	Yes	Yes	Yes
		85543-0002	No		
		85543-0003	Yes	No	

Modular Jack

44282

Right Angle, Low Profile
Shielded, SMT



Features and Benefits

- Surface mount solder tab provides retention to the PCB and strain relief for PC tails
- Tabs on shield provide enhanced grounding to panel
- Side-to-side stackable for modular configurations
- 0.15mm (.006") max. tail-to-tail coplanarity ensures high reliability during surface mount soldering
- 100% electrically tested for hi-pot and continuity

Reference Information

Product Specification: PS-43743-0001
Packaging: Tape and reel
UL File No.: E107635
CSA File No.: LR19980
Mates With: FCC 68 Plugs
Designed In: Inches

Electrical

Voltage: 125V
Current: 1.5A
Contact Resistance: 10 milliohms max.
Dielectric Withstanding Voltage: 1000V AC
Insulation Resistance: 500 Megohms min.

Mechanical

Durability: 500 cycles min.

Physical

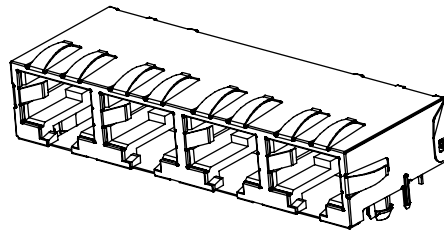
Housing: Black glass-filled nylon, UL 94V-0
Contact: Phosphor Bronze
Plating: Contact Area—1.27 μ m (50 μ) min. Gold
Solder Tail Area—2.54 μ m (100 μ) min. Tin
Nickel Overall

Circuits	Loaded Contacts	Shield Side Tabs	Shield Top Tabs	Location Tabs	Order No.	Lead-free
8	8	Yes	Yes	Yes	44282-0001	Yes
		No			44282-0004	
		Yes		No	44282-0007	
		No			44282-0010	

Modular Jack

44560

High Speed, Ganged
Right Angle, Ultra Low Profile
Shielded and Unshielded Versions



Features and Benefits

- Under 10.00mm (.394") in height
- Exceeds Category 5 performance
- Gigabit Ethernet compatible
- 2 and 4 port configurations available
- Shield with various ground options
- Industry standard footprint
- 100% tested for hi-pot and continuity

Reference Information

Product Specification: PS-44560-003
Packaging: Tray
UL File No.: E107635
CSA File No.: LR19980
Mates With: FCC 68 Plugs
Designed In: Inches

Electrical

Voltage: 125V
Current: 1.5A
Contact Resistance: 25 milliohms max.
Dielectric Withstanding Voltage: 1000V AC
Insulation Resistance: 500 Megohms min.

Mechanical

Durability: 750 cycles min.

Physical

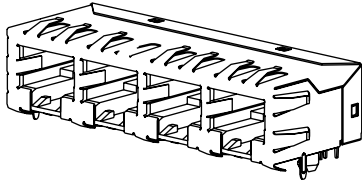
Housing: Black glass-filled nylon, UL 94V-0
Contact: Phosphor Bronze
Plating: Contact Area—1.27 μ m (50 μ) min. Gold
Solder Tails—2.54 μ m (100 μ) min. Tin
Nickel Overall

Circuits	Loaded Contacts	No. of Ports	Shield Option	Order No.	Lead-free
8	8	2	No Shield	44560-0001	Yes
		4		44560-0003	
		2	Standard Shield	44560-0002	
		4		44560-0004	
		2	Enhanced Ground Tabs	44560-0012	
		4		44560-0014	
		2	Bezel Ground Tabs	44560-0022	
		4		44560-0024	

Modular Jack

44150

**High Speed, Ganged
Right Angle, Low Profile
Shielded and Unshielded Versions**



Features and Benefits

- Exceeds Category 5 performance
- Gigabit Ethernet compatible
- 2, 4, 6 and 8 port configurations available
- Shield with enhanced panel grounding tabs
- 100% tested for hi-pot and continuity
- Industry Standard Footprint

Reference Information

Product Specification: PS-44050-003
 Packaging: Tray
 UL File No.: E107635
 CSA File No.: LR19980
 Mates With: FCC 68 Plugs
 Designed In: Inches

Electrical

Voltage: 125V
 Current: 1.5A
 Contact Resistance: 20 milliohms max.
 Dielectric Withstanding Voltage: 1000V AC
 Insulation Resistance: 500 Megohms min.

Mechanical

Durability: 500 cycles min.

Physical

Housing: Black Glass-filled nylon, UL 94V-0
 Contact: Phosphor Bronze
 Plating: Contact Area—1.27µm (50µ") min. Gold
 Solder Tails—2.54µm (100µ") min. Tin, Nickel overall

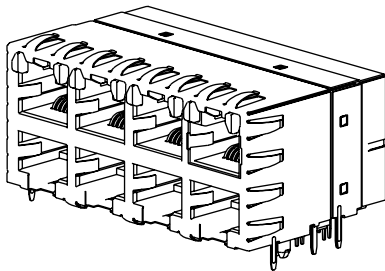
Circuits	Loaded Contacts	No. of Ports	Order No.						Lead-free
			Unshielded		Shielded				
			Snap-Fit Pegs	Press-Fit Pegs	Side PCB Grounding Tab Location				
					Option 1*		Option 2*		
Snap-Fit Pegs	Press-Fit Pegs	Snap-Fit Pegs	Press-Fit Pegs	Snap-Fit Pegs	Press-Fit Pegs				
8	8	2	44150-0001	44150-0017	44150-0005	44150-0021	44150-0011	44150-0027	Yes
		4	44150-0002	44150-0018	44150-0006	44150-0022	44150-0012	44150-0028	
		6	44150-0003	44150-0019	44150-0007	44150-0023	44150-0013	44150-0029	
		8	44150-0004	44150-0020	44150-0008	44150-0024	44150-0014	44150-0030	

Note: Visit www.molex.com for alternative rear grounding tab option on 4 and 8 part versions.
 *See sales drawing for exact location

Modular Jack

44170

**High Speed, Stacked
Multi-Port, Right Angle
Shielded with Lightpipes**



Features and Benefits

- Exceeds Category 5 performance
- Traditional industry pin layout
- Distinctive lightpipe arrow indicators
- Lower electrical noise than LED offerings
- 30% fewer leads than LED offerings
- Space saving design

Reference Information

Product Specification: PS-44050-003
 Packaging: Tray
 UL File No.: E107635
 CSA File No.: LR19980
 Mates With: FCC 68 Plugs
 Designed In: Inches

Electrical

Voltage: 125V
 Current: 1.5A max.
 Contact Resistance: 20 milliohms max.
 Dielectric Withstanding Voltage: 1000V AC
 Insulation Resistance: 500 Megohms min.

Mechanical

Durability: 500 Cycles

Physical

Housing: Black glass-filled Polyester, UL 94V-0
 Contact: Phosphor Bronze
 Plating: Contact Area—1.27µm (50µ") min. Gold
 Solder Tails—2.54µm (100µ") min. Tin, Nickel overall

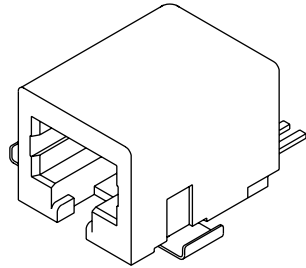
Circuits	Loaded Contacts	No. of Ports	Order No.		Lead-free
			Snap Fit Pegs	Press Fit Pegs	
8	8	8	44170-0001	44170-0004	Yes
		12	44170-0002	44170-0005	
		16	44170-0003	44170-0006	

Note: Visit www.molex.com for alternative side panel and inner/rear grounding tab option order numbers.
 44520 Series available without lightpipes. Visit www.molex.com for order numbers.

Modular Jack

44144/43743

SMT, Right Angle, Low Profile
With Flush or Outboard
Fitting Nails



Features and Benefits

- Flush fitting nails allow for side-by-side stackability
- Outboard fitting nails provide robust retention feature
- Enclosed top
- 100% electrically tested
- .006" max. "nail-to-tail" coplanarity

Reference Information

Product Specification: PS-43743-0001
Packaging: Tape and reel
UL File No.: E107635
CSA File No.: LR19980
Mates With: FCC 68 plugs
Designed In: Inches

Electrical

Voltage: 125V
Current: 1.5A
Contact Resistance: 10 milliohms max.
Dielectric Withstanding Voltage: 1000V AC
Insulation Resistance: 500 Megohms min.

Mechanical

Durability: 500 cycles min.

Physical

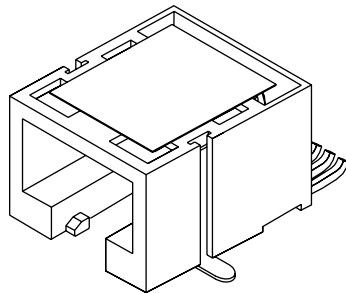
Housing: Black glass-filled nylon, UL 94V-0
Contact: Phosphor Bronze
Plating: Contact Area—1.27 μ m (50 μ in) min. Gold
Solder Tails—2.54 μ m (100 μ in) min. Tin,
Nickel overall

Circuits	Loaded Contacts	Order No.		Lead-free
		Flush Fitting Nail	Outboard Fitting Nail	
6	4	44144-0004	43743-6101	Yes
	6	44144-0005	43743-6001	
8	8	44144-0003	43743-8101	

Modular Jack

85502

SMT, Right Angle
Low Profile



Features and Benefits

- Very low profile—about 3/4 that of industry standard
- Automatic vacuum placement possible
- Foot pattern identical to industry standard
- High reliability, square contact
- 0.10mm coplanarity

Reference Information

Product Specification: PS-85502
Packaging: Anti-static blister reel
UL File No.: E107635
Mates With: FCC 68 plugs
Designed In: Millimeters

Electrical

Voltage: 125V
Current: 1.5A
Contact Resistance: 20 milliohms max.
Insulation Resistance: 500 Megohms min.

Physical

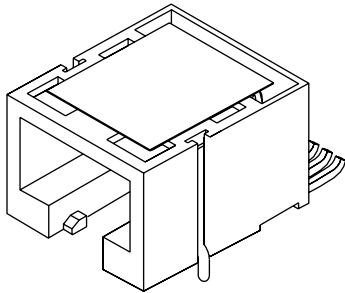
Housing: Black LCP, UL 94V-0
Contact: Brass
Plating: Post plate 1.27 to 1.52 μ m (50 to 60 μ in) Gold in contact area, 1.90 μ m (75 μ in) min. pure Tin in tail area both over Nickel overall

Circuits	Loaded Contacts	Order No.	Lead-free
4	4	85502-5005	Yes
6	4	85502-5006	
6	6	85502-5007	
8	8	85502-5008	

Modular Jack

85502

SMT, Right Angle Low Profile For Pin in Hole Reflow



Features and Benefits

- Very low profile—about 3/4 that of industry standard
- Automatic vacuum placement possible
- Foot pattern identical to industry standard
- High reliability, square contact
- 0.10mm coplanarity

Reference Information

Product Specification: PS-85502
 Packaging: Anti-static blister reel
 UL File No.: E107635
 Mates With: FCC 68 plugs
 Designed In: Millimeters

Electrical

Voltage: 125V
 Current: 1.5A
 Contact Resistance: 20 milliohms max.
 Insulation Resistance: 500 Megohms min.

Physical

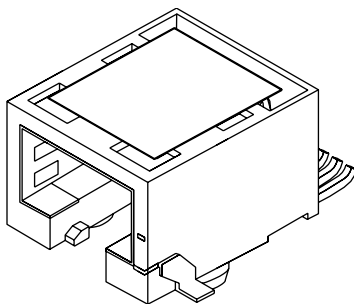
Housing: Black LCP, UL 94V-0
 Contact: Brass
 Plating: Post plate 1.27 to 1.52 μ m (50 to 60 μ in) Gold in contact area, 1.90 μ m (75 μ in) min. pure Tin in tail area both over Nickel overall

Circuits	Loaded Contacts	Order No.	Lead-free
4	4	85502-5009	Yes
6	4	85502-5010	
6	6	85502-5011	
8	8	85502-5012	

Modular Jack

95540

SMT, Right Angle, Low Profile Internal Shield with Locating Pegs



Features and Benefits

- High reliability, square contact
- EMI/RFI protection
- ISDN standard
- Automated vacuum placement
- 0.10mm coplanarity

Reference Information

Product Specification: PS-95040
 Packaging: Blister reel
 UL File No.: E107635
 Mates With: FCC 68 plugs
 Designed In: Millimeters

Electrical

Voltage: 125V
 Current: 1.5A
 Contact Resistance: 20 milliohms max.
 Dielectric Withstanding Voltage: 1000V
 Insulation Resistance: 500 Megohms min.
 Shielding Effectiveness: 20 dB min.

Physical

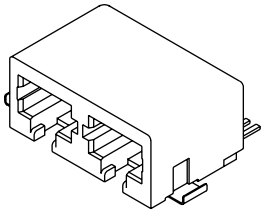
Housing: Black LCP, UL 94V-0
 Contact: Brass
 Plating: 1.27 to 1.52 μ m (50 to 60 μ in) Gold in contact area, 1.90 μ m (75 μ in) min. pure Tin in tail area both over Nickel overall

Circuits	Loaded Contacts	Order No.	Description	Packaging	Lead-free
8	8	95540-6880	With metal locating pegs	13" Reel	Yes
		95540-6884	With plastic locating pegs	22" Reel	
		95540-6886	With plastic locating pegs	13" Reel	

Modular Jack

43841

**SMT, Right Angle, Low Profile
Dual Port with Flush or
Outboard Fitting Nails**



Features and Benefits

- Outboard fitting nails provide robust retention feature
- Enclosed top
- 100% electrically tested
- .150mm (.006") max. "nail-to-tail" coplanarity

Reference Information

Product Specification: PS-43743-0001
Packaging: Tape and reel
UL File No.: E107635
CSA File No.: LR19980
Designed In: Inches

Electrical

Voltage: 125V
Current: 1.5A
Contact Resistance: 10 milliohms max.
Dielectric Withstanding Voltage: 1000V AC
Insulation Resistance: 500 Megohms min.

Mechanical

Durability: 500 cycles min.

Physical

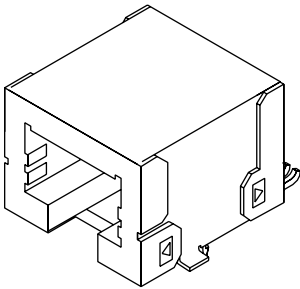
Housing: Black glass-filled nylon 94V-0
Contact: Phosphor Bronze
Plating: Contact Area—1.27 μ m (50 μ in) min. Gold
Solder Tails—2.54 μ m (100 μ in) min. Tin,
Nickel overall

Circuits	Loaded Contacts	Order No.	Lead-free
6	4	43841-0004	Yes
	6	43841-0005	
	8	43841-0003	

Modular Jack

95622

**SMT, Right Angle
Standard Profile, Shielded**



Features and Benefits

- Fully-shielded connector
- Advanced EMI/RFI protection
- ISDN standard
- Industry standard footprint and height
- Automatic vacuum placement

Reference Information

Product Specification: PS-95622
Packaging: Anti-static blister reel
UL File No.: E107635
Mates With: FCC 68 plugs
Designed In: Millimeters

Electrical

Voltage: 125V
Current: 1.5A
Contact Resistance: 20 milliohms max.
Dielectric Withstanding Voltage: 1000V
Insulation Resistance: 500 Megohms min.
Shielding Effectiveness: 20 dB min.

Physical

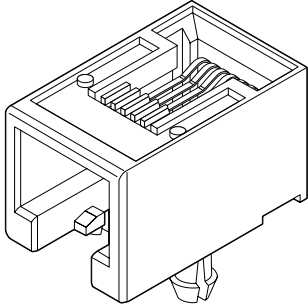
Housing: Black LCP, UL 94V-0
Contact: Brass
Plating: Post plate 1.27 to 1.52 μ m (50 to 60 μ in) Gold in
contact area, 1.90 μ m (75 μ in) min. pure Tin in tail area
both over Nickel overall

Circuits	Loaded Contacts	Order No.	Panel Ground	Fixing Pegs	Lead-free
8	8	95622-4881	No	Yes	Yes
		95622-6882	Yes	Yes	
		95622-4883	No	No	
		95622-6884	Yes	No	

Modular Jack

95501

**Right Angle
Low Profile, SMT**



Features and Benefits

- Very low profile—about 3/4 that of industry standard
- Automatic placement possible
- Foot pattern identical to industry standard
- High reliability, square contact
- Surface Mount Compatible

Reference Information

Product Specification: PS-95001
 Packaging: Tube
 UL File No.: E107635
 Mates With: FCC 68 plugs
 Designed In: Millimeters

Electrical

Voltage: 125V
 Current: 1.5A
 Contact Resistance: 20 milliohms max.
 Dielectric Withstanding Voltage: 1000V
 Insulation Resistance: 500 Megohms min.

Physical

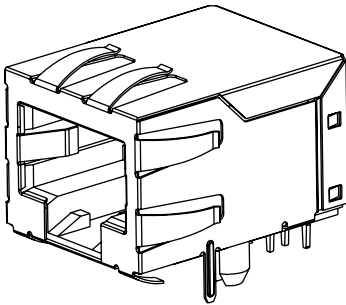
Housing: Black LCP, UL 94V-0
 Contact: Brass
 Plating: Post plate 1.27 to 1.52 μ m (50 to 60 μ "") Gold in contact area, 1.90 μ m (75 μ "") min. pure Tin in tail area both over Nickel overall

Circuits	Loaded Contacts	Order No.	Key	Lead-free
4	4	95501-6449	No	Yes
6	4	95501-6649	No	
6	6	95501-6669	No	
8	8	95501-6889	No	
8	8	95501-6890	Yes	

Modular Jack

43202

**Right Angle, Low Profile
Shielded and Unshielded Versions**



Features and Benefits

- Ultra low profile
- Enhanced panel grounding tabs on shielded RJ-45 configuration
- Enclosed top
- 100% tested for hi-pot and continuity

Reference Information

Product Specification: PS-43202-001
 Packaging: Tray
 UL File No.: E107635
 CSA File No.: LR19980
 Use with: FCC 68 Plugs
 Designed in: Inches

Electrical

Voltage: 125V
 Current: 1.5A
 Contact Resistance: 10 milliohms max.
 Dielectric Withstanding Voltage: 1000V AC
 Insulation Resistance: 500 Megohms min.

Mechanical

Durability: 500 cycles min.

Physical

Housing: Black glass-filled nylon, UL 94V-0
 Contact: Phosphor Bronze
 Plating: Contact Area—1.27 μ m (50 μ "") min. Gold
 Solder Tails—2.54 μ m (100 μ "") min. Tin, Nickel overall

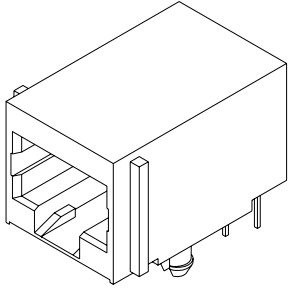
Circuits	Loaded Contacts	Shield Panel Ground Tab Option	Order No.			Lead-free	
			Unshielded	Shielded			
				Front Position PCB Ground Tab	Rear Position PCB Ground Tab		
4	4		43202-4101			Yes	
6	4		43202-6104				
	6		43202-6101				
			43202-8104				
8	8	All Panel Ground Tabs		43202-8919	43202-8927		
		Offset Panel Ground Tabs		43202-8918	43202-8926		
		Top Panel Ground Tabs		43202-8917	43202-8925		
		No Panel Ground Tabs		43202-8916	43202-8924		
	10		43202-8101				
		All Panel Ground Tabs		43202-8903	43202-8911		
		Offset Panel Ground Tabs		43202-8902	43202-8910		
	Top Panel Ground Tabs		43202-8901	43202-8909			
	No Panel Ground Tabs		43202-8900	43202-8908			

Note: Visit www.molex.com for additional shield panel ground tab options

Modular Jack

43249

Right Angle, Low Profile Shielded and Unshielded Versions



Features and Benefits

- RJ-11 and RJ-45 available
- Optional full shield for RJ-45
- Option of flush or flangeless mount
- Select Gold plating, 50µm
- 100% tested for hi-pot and continuity
- Meets UL 1863 Sec. 8 Electrical Probe and UL 1863 Sec. 20 Child Finger Test

Reference Information

Product Specification: PSX-43249
 Packaging: Anti-static trays
 UL File No.: E107635
 CSA File No.: LR19980
 Mates With: FCC 68 plugs
 Designed In: Inches

Electrical

Voltage: 125V
 Current: 1.5A
 Contact Resistance: 10 milliohms max.
 Dielectric Withstanding Voltage: 1000V AC
 Insulation Resistance: 500 Megohms min.

Mechanical

Durability: 500 cycles min.

Physical

Housing: Black glass-filled nylon, UL 94V-0
 Contact: Phosphor Bronze
 Plating: Contact Area—1.27µm (50µ") min. Gold;
 Solder Tails—2.54µm (100µ") min. Tin,
 Nickel overall

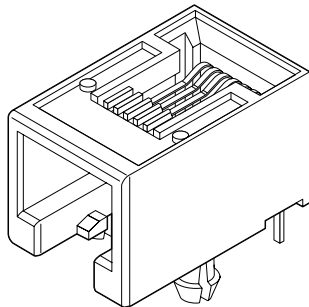
Circuits	Loaded Contacts	Shield Panel Ground Tab Options	Order No.				Lead-free
			Unshielded Flush Mount	Unshielded Flangeless	Front Position PCB Grounding Tabs	Rear Position PCB Grounding Tabs	
6	4	None	43249-6004	43249-6104			Yes
	6		43249-6001	43249-6101			
8	6	None	43249-8010	43249-8116			
	8	None	43249-8004	43249-8104			
		All panel ground tabs			43249-8919	43249-8927	
8	10	Offset panel ground tabs			43249-8918	43249-8926	
		Top panel ground tabs			43249-8917	43249-8925	
		No panel ground tabs			43249-8916	43249-8924	
		None	43249-8001	43249-8101			
		All panel ground tabs			43249-8903	43249-8911	
		Offset panel ground tabs			43249-8902	43249-8910	
		Top panel ground tabs			43249-8901	43249-8909	
No panel ground tabs			43249-8900	43249-8908			

Note: Visit www.molex.com for alternative circuit sizes, keying options and shield options.

Modular Jack

95501

Right Angle Low Profile



Features and Benefits

- Very low profile—about 3/4 that of industry standard
- Automatic placement possible
- Foot pattern identical to industry standard
- High reliability, square contact

Reference Information

Product Specification: PS-95501-E
 Packaging: Tray
 UL File No.: E107635
 CSA File No.: 89083
 Mates With: FCC 68 plugs
 Designed In: Millimeters

Electrical

Voltage: 125V
 Current: 1.5A
 Contact Resistance: 20 milliohms max.
 Dielectric Withstanding Voltage: 1000V
 Insulation Resistance: 500 Megohms min.

Physical

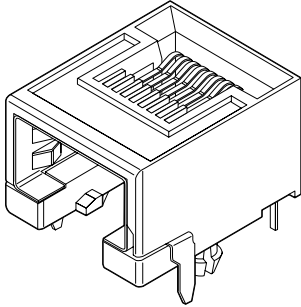
Housing: Black LCP, UL 94V-0
 Contact: Brass
 Plating: Post plate 1.27 to 1.52µm (50 to 60µ") Gold in contact area, 1.90µm (75µ") min. pure Tin in tail area both over Nickel overall

Circuits	Loaded Contacts	Order No.	Key	Lead-free
4	4	95501-2441	No	Yes
6	4	95501-2641	No	
6	6	95501-2661	No	
8	8	95501-2881	No	
8	8	95501-2882	Yes	

Modular Jack

95540

**Right Angle
Low Profile, Internal Shield**



Features and Benefits

- High reliability, square contact
- EMI/RFI protection
- ISDN standard

Reference Information

Product Specification: PS-95540
 Packaging: Tray
 UL File No.: E107635
 Mates With: FCC 68 plugs
 Designed In: Millimeters

Electrical

Voltage: 125V
 Current: 1.5A
 Contact Resistance: 20 milliohms max.
 Dielectric Withstanding Voltage: 1000V
 Insulation Resistance: 500 Megohms min.
 Shielding Effectiveness: 20 dB min.

Physical

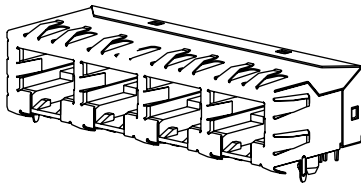
Housing: Black LCP, UL 94V-0
 Contact: Brass
 Plating: .52µm (50 to 60µ") Gold in contact area, 1.90mm (75µ") min. pure Tin in tail area both over Nickel overall

Circuits	Loaded Contacts	Order No.	High Temperature	Lead-free
8	8	95040-2881	No	Yes

Modular Jack

43223

**Ganged, Right Angle
Low Profile, Shielded and
Unshielded Versions**



Features and Benefits

- 2 to 8 port (except 7) RJ-11 and RJ-45
- Optional shielding on RJ-45 ganged jacks
- Option of flush or flangeless mount
- Select Gold plating, 50µ"
- 100% tested for hi-pot and continuity

Reference Information

Product Specification: PS-43223-001
 Packaging: Tray
 UL File No.: E107635
 CSA File No.: LR19980
 Mates With: FCC 68 plugs
 Designed In: Inches

Electrical

Voltage: 125V
 Current: 1.5A
 Contact Resistance: 10 milliohms max.
 Dielectric Withstanding Voltage: 1000V AC
 Insulation Resistance: 500 Megohms min.

Mechanical

Durability: 500 cycles min.

Physical

Housing: Black glass-filled nylon, UL 94V-0
 Contact: Phosphor Bronze
 Plating: Contact area—1.27µm (50µ") min. Gold;
 Solder Tails—2.54µm (100µ") min. Tin,
 Nickel overall

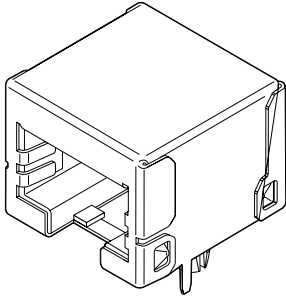
Circuits	Loaded Contacts	No. of Ports	Order No.			Lead-free
			Unshielded		Shielded	
			Flush Mount	Flangeless	Flangeless	
6	4	2	43223-6022	43223-6122		Yes
		4	43223-6028	43223-6128		
		6	43223-6034	43223-6134		
		8	43223-6040	43223-6140		
	6	2	43223-6001	43223-6101		
		4	43223-6007	43223-6107		
		6	43223-6013	43223-6113		
		8	43223-6019	43223-6119		
8	8	2	43223-8022	43223-8122		
		4	43223-8028	43223-8140	43223-8128	
		6	43223-8034	43223-8158	43223-8146	
		8	43223-8040	43223-8176	43223-8164	
					43223-8182	

Note: Snap-fit peg order numbers shown above. Press-fit peg order numbers also available.
 Visit www.molex.com for alternative grounding tab option order numbers, circuit sizes and port sizes.

Modular Jack

95622

Right Angle
Standard Profile, Shielded



Features and Benefits

- Fully-shielded connector
- Advanced EMI/RFI protection
- ISDN standard
- Industry standard footprint and height

Reference Information

Product Specification: PS-95622
Packaging: Tray
UL File No.: E107635
Mates With: FCC 68 plugs
Designed In: Millimeters

Electrical

Voltage: 125V
Current: 1.5A
Contact Resistance: 20 milliohms max.
Dielectric Withstanding Voltage: 1000V
Insulation Resistance: 500 Megohms min.
Shielding Effectiveness: 20 dB min.

Physical

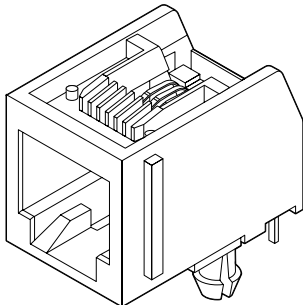
Housing: Black LCP
Contact: Brass
Plating: Post plate 1.27 to 1.52 μ m (50 to 60 μ ") Gold in contact area, 1.90 μ m (75 μ ") min. pure Tin in tail area both over Nickel overall

Circuits	Loaded Contacts	Order No.	Panel Ground	Lead-free
8	8	95622-3882	Yes	Yes
8	8	95622-3881	No	

Modular Jack

95009

Right Angle, Standard Profile
Flush Mount with Mounting Rib



Features and Benefits

- Industry-compatible footprints
- Flush mount
- Split snap-fit retention pegs
- High reliability, square contacts

Reference Information

Product Specification: PS-95009-E
Packaging: Tray
UL File No.: E107635
Mates With: FCC 68 plugs
Designed In: Millimeters

Electrical

Voltage: 125V
Current: 1.5A
Contact Resistance: 20 milliohms max.
Dielectric Withstanding Voltage: 1000V
Insulation Resistance: 500 Megohms min.

Physical

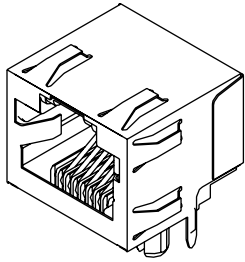
Housing: Black polyester, UL 94V-0
Contact: Brass
Plating: Post plate 1.27 to 1.52 μ m (50 to 60 μ ") Gold in contact area, 1.90 μ m (75 μ ") min. pure Tin in tail area both over Nickel overall

Circuits	Loaded Contacts	Order No.	Lead-free
4	4	95009-2441	Yes
6	4	95009-2641	
6	6	95009-2661	
8	8	95009-2881	

Modular Jack

43860

Right Angle, Low Profile, Inverted Shielded and Unshielded Versions



Features and Benefits

- Plug latch on top
- Shortened leads with bottom contacts
- Shielding meets IEC 950, UL 1863 and CSA 233
- Enhanced panel grounding tabs on shield
- 100% tested for hi-pot and continuity

Reference Information

Product Specification: PS-43860-003

Packaging:

Unshielded—Tube

Shielded—Tray

UL File No.: E107635

CSA File No.: LR19980

Mates With: FCC 68 plugs

Designed In: Inches

Electrical

Voltage: 125V

Current: 1.5A

Contact Resistance: 20 milliohms max.

Dielectric Withstanding Voltage: 1000V AC

Insulation Resistance: 500 Megohms min.

Mechanical

Durability: 500 cycles min.

Physical

Housing: Black glass-filled nylon, UL 94V-0

Contact: Phosphor Bronze

Plating: Contact Area—1.27 μ m (50 μ) min. Gold;

Solder Tails—2.54 μ m (100 μ) min. Tin,

Nickel overall

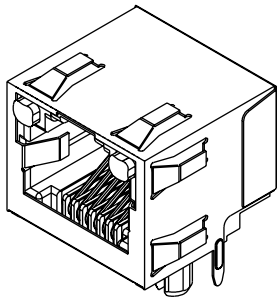
Circuits	Loaded Contacts	Order No.			Lead-free
		Unshielded	Shielded		
			With All Panel Grounding Tabs	With Offset Panel Grounding Tabs	
6	4	43860-0003	43860-0006	43860-0015	Yes
	6	43860-0002	43860-0005	43860-0014	
8	8	43860-0001	43860-0004	43860-0013	

Note: Visit www.molex.com for additional panel grounding tab options

Modular Jack

43860

Right Angle, Low Profile, Inverted Shielded and Unshielded Versions With Lightpipes



Features and Benefits

- Plug latch on top
- Shortened leads with bottom contacts
- Industry compatible
- Lower electrical noise than LED offerings
- 34% fewer leads than LED offerings
- Enhanced grounding tabs on shield

Reference Information

Product Specification: PS-43860-003

Packaging:

Unshielded—Tube

Shielded—Tray

UL File No.: E107635

CSA File No.: LR19980

Designed in: Inches

Electrical

Electrical Voltage: 125V

Current: 1.5A max.

Contact Resistance: 20 milliohms max.

Dielectric Withstanding Voltage: 1000V AC

Insulation Resistance: 500 Megohms min.

Mechanical

Durability: 500 cycles

Physical

Housing: Black glass-filled nylon, UL 94V-0

Plating: Contact Area—1.27 μ m (50 μ) min. Gold

Solder Tails—2.54 μ m (100 μ) min. Tin,

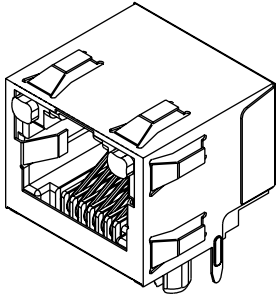
Nickel overall

Circuits	Loaded Contacts	Order No.			Lead-free
		Unshielded	Shielded		
			With All Panel Grounding Tabs	With Offset Panel Grounding Tabs	
6	4	43860-0009	43860-0012	43860-0018	Yes
6	6	43860-0008	43860-0011	43860-0017	
8	8	43860-0007	43860-0010	43860-0016	

Modular Jack

43860

**Right Angle, Low Profile
Inverted, Shielded Version
With High Temperature* Lightpipes**



Features and Benefits

- Plug latch on top
- Lower electrical noise than LED offerings
- 34% fewer leads than LED offerings
- Enhanced grounding tabs on shield

Reference Information

Product Specification: PS-43860-003
Packaging: Tray
UL File No.: E107635
CSA File No.: LR19980
Designed in: Inches

Electrical

Electrical Voltage: 125V
Current: 1.5A max.
Contact Resistance: 20 milliohms max.
Dielectric Withstanding Voltage: 1000V AC
Insulation Resistance: 500 Megohms min.

Mechanical

Durability: 500 cycles

Physical

Housing: Black glass-filled nylon, UL 94V-0
Contact: Phosphor Bronze
Plating: Contact Area—1.27µm (50µ") min. Gold
Solder Tails—2.54µm (100µ") min. Tin,
Nickel overall

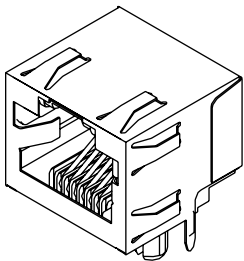
Circuits	Loaded Contacts	Order No.		Lead-free
		With All Panel Grounding Tabs	With Offset Panel Grounding Tabs	
6	4	43860-1012	43860-1018	Yes
	6	43860-1011	43860-1017	
8	8	43860-1010	43860-1016	

*Reflow capable up to 205°C for 30 seconds max.

Modular Jack

44620

**Right Angle, RJ-45
Low Profile, Inverted Shielded
And Unshielded Versions
With RJ-11 Keepout Feature**



Features and Benefits

- Prevents mismatching of RJ-11 plugs into RJ-45 jack
- Plug latch on top
- Shield with enhanced panel grounding tabs
- 100% tested for hi-pot and continuity
- Shortened leads with bottom contacts

Reference Information

Product Specification: PS-43860-0003
Packaging:
Unshielded—Tube
Shielded—Tray
UL File No.: E107635
CSA File No.: LR19980
Mates with: FCC 68 Plugs
Designed in: Inches

Electrical

Voltage: 125V
Current: 1.5A max.
Contact Resistance: 20 milliohms max.
Dielectric Withstanding Voltage: 1000V AC
Insulation Resistance: 500 Megohms min.

Mechanical

Durability: 500 cycles

Physical

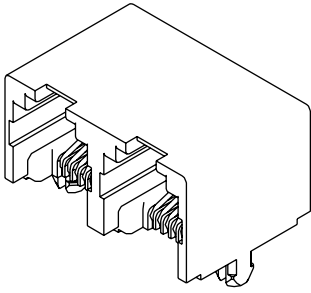
Housing: Black glass-filled nylon, UL 94V-0
Contact: Phosphor Bronze
Plating: Contact Area—1.27µm (50µ") min. Gold
Solder Tail—2.54µm (100µ") min. Tin,
Nickel overall

Circuits	Loaded Contacts	Order Number			Lead-free
		Unshielded	Shielded		
			With All Panel Grounding Tabs	With Offset Panel Grounding Tabs	
8	8	44620-0001	44620-0002	44620-0003	Yes

Modular Jack

43814

Right Angle, Low Profile Inverted, Dual Port



Features and Benefits

- Plug latch on top
- Shortened leads with bottom contacts
- 100% tested for hi-pot and continuity
- Packaged in tubes
- Side-by-side stackable

Reference Information

Product Specification: PS-43860-003
 Packaging: Tube
 UL File No.: E107635
 CSA File No.: LR19980
 Mates With: FCC 68 plugs
 Designed In: Inches

Electrical

Voltage: 125V
 Current: 1.5A
 Contact Resistance: 20 milliohms max.
 Dielectric Withstanding Voltage: 1000V AC
 Insulation Resistance: 500 Megohms min.

Mechanical

Durability: 500 cycles min.

Physical

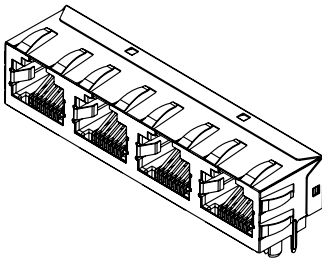
Housing: Black glass-filled nylon, UL 94V-0
 Contact: Phosphor Bronze
 Plating: Contact Area—1.27 μ m (50 μ ”) min. Gold;
 Solder Tails—2.54 μ m (100 μ ”) min. Tin,
 Nickel overall

Circuits	Loaded Contacts	Order No.	Lead-free
6	4	43814-6421	Yes
	6	43814-6621	

Modular Jack

44248

Ganged, Right Angle Low Profile Inverted Shielded and Unshielded Versions



Features and Benefits

- Plug latch on top
- Shortened leads with bottom contacts
- Industry compatible
- Enhanced panel grounding tabs on shield
- Shielding meets IEC 950, UL 1863 and CSA 233

Reference Information

Product Specification: PS-43860-003
 Packaging: Tray
 UL File No.: E107635
 CSA File No.: LR19980
 Designed In: Inches

Electrical

Voltage: 125V
 Current: 1.5A
 Contact Resistance: 20 milliohms max.
 Dielectric Withstanding Voltage: 1000V AC
 Insulation Resistance: 500 Megohms min.

Mechanical

Durability: 500 cycles

Physical

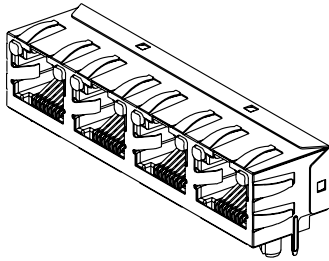
Housing: Black glass-filled Polyester, UL 94V-0
 Contact: Phosphor Bronze
 Plating: Contact Area—1.27 μ m (50 μ ”) min. Gold
 Solder Tails—2.54 μ m (100 μ ”) min. Tin,
 Nickel overall

Circuits	Loaded Contacts	No. of Ports	Order No.				Lead-free
			Unshielded		Shielded		
			Press Fit	Snap Fit	Press Fit	Snap Fit	
6	4	2	44248-0074	44248-0066	44248-0102	44248-0094	Yes
	6		44248-0073	44248-0065	44248-0101	44248-0093	
8	8	2	44248-0061	44248-0057	44248-0089	44248-0085	
		4	44248-0062	44248-0058	44248-0090	44248-0086	

Modular Jack

44248

Ganged, Right Angle Low Profile Inverted Shielded and Unshielded Versions With Lightpipes



Features and Benefits

- Plug latch on top
- Industry compatible
- Lower electrical noise than LED offerings
- 34% fewer leads than LED offerings
- Enhanced panel grounding tabs on shield

Reference Information

Product Specification: PS-43860-003
Packaging: Tray
UL File No.: E107635
CSA File No.: LRT19980
Designed In: Inches

Electrical

Voltage: 125V
Current: 1.5A
Contact Resistance: 20 milliohms max.
Dielectric Withstanding Voltage: 1000V AC
Insulation Resistance: 500 Megohms min.

Mechanical

Durability: 500 cycles

Physical

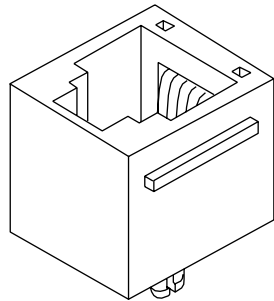
Housing: Black glass-filled Polyester, UL 94V-0
Contact: Phosphor Bronze
Plating: Contact Area—1.27 μ m (50 μ in) min. Gold
Solder Tails—2.54 μ m (100 μ in) min. Tin, Nickel overall

Circuits	Loaded Contacts	No. of Ports	Order No.				Lead-free
			Unshielded		Shielded		
			Press Fit	Snap Fit	Press Fit	Snap Fit	
6	4	2	44248-0018	44248-0010	44248-0046	44248-0038	Yes
	6		44248-0017	44248-0009	44248-0045	44248-0037	
8	8	2	44248-0005	44248-0001	44248-0033	44248-0029	
		4	44248-0006	44248-0002	44248-0034	44248-0030	

Modular Jack

85506

High-Speed, Vertical Standard Profile



Features and Benefits

- Performance better than category 5
- Industry compatible
- Automatic placement on PC boards possible
- Foot patterns identical to industry standard jacks
- High reliability, square contact

Reference Information

Product Specification: PS-95003-E
Packaging: Tray
UL File No.: E107635
Mates With: FCC 68 plugs
Designed In: Millimeters

Electrical

Voltage: 125V
Current: 1.5A
Contact Resistance: 20 milliohms max.
Dielectric Withstanding Voltage: 1000V
Insulation Resistance: 500 Megohms min.

Physical

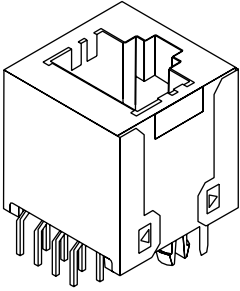
Housing: Black LCP, UL 94V-0
Contact: Phosphor Bronze
Plating: Post plate 1.27 to 1.52 μ m (50 to 60 μ in) Gold in contact area, 1.90 μ m (75 μ in) min. pure Tin in tail area both over Nickel overall

Circuits	Loaded Contacts	Order No.	Ribs	Lead-free
8	8	85506-0001	Yes	Yes
8	8	85506-0002	No	

Modular Jack

85508

**High-Speed, Vertical
Standard Profile, Shielded**



Features and Benefits

- Performance better than category 5
- Fully shielded connector
- Advanced EMI/RFI protection
- ISDN standard
- Industry standard footprint and height

Reference Information

Product Specification: PS-85505
 Packaging: Tray
 UL File No.: E107635
 Mates With: FCC 68 plugs
 Designed In: Millimeters

Electrical

Voltage: 125V
 Current: 1.5A
 Contact Resistance: 20 milliohms max.
 Dielectric Withstanding Voltage: 1000V
 Insulation Resistance: 500 Megohms min.
 Shielding Effectiveness: 20 dB min.

Physical

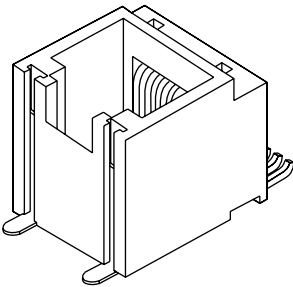
Housing: Black LCP, UL 94V-0
 Contact: Phosphor Bronze
 Plating: Post plate 1.27 to 1.52µm (50 to 60µ") Gold in contact area, 1.90µm (75µ") min. pure Tin in tail area both over Nickel overall

Circuits	Loaded Contacts	Order No.	Lead-free
8	8	85508-0001	Yes

Modular Jack

85510

**SMT, Vertical, Standard Profile
With Small Panel Cutout**



Features and Benefits

- Automatic vacuum placement possible
- Foot pattern identical to industry standard
- High reliability, square contact
- 0.10mm coplanarity

Reference Information

Product Specification: PS-95503
 Packaging: Anti-static blister reel, 13 and 22"
 UL File No.: E107635
 Mates With: FCC 68 plugs
 Designed In: Millimeters

Electrical

Voltage: 125V
 Current: 1.5A
 Contact Resistance: 20 milliohms max.
 Insulation Resistance: 500 Megohms min.

Physical

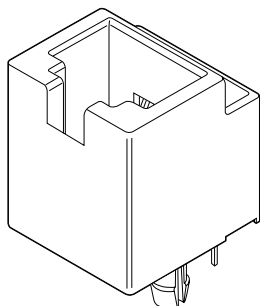
Housing: Black LCP, UL 94V-0
 Contact: Brass
 Plating: Post plate 1.27 to 1.52µm (50 to 60µ") Gold in contact area, 1.90µm (75µ") min. pure Tin in tail area both over Nickel overall

Circuits	Loaded Contacts	Order No.		Lead-free
		Blister Reel 22"	Blister Reel 13"	
4	4	85510-5025	85510-5017	Yes
6	4	85510-5026	85510-5018	
6	6	85510-5027	85510-5019	
8	8	85510-5028	85510-5020	

Modular Jack

95503

**SMT, Vertical, Standard Profile
With Small Panel Cutout**



Features and Benefits

- Industry compatible
- Automatic placement on PC boards possible
- Foot patterns identical to industry standard jacks
- High reliability, square contact
- Low profile 12.70mm (0.5")

Reference Information

Product Specification: PS-95503-E
Packaging: Tube
UL File No.: E107635
Mates With: FCC 68 plugs
Designed In: Millimeters

Electrical

Voltage: 125V
Current: 1.5A
Contact Resistance: 20 milliohms max.
Dielectric Withstanding Voltage: 1000V
Insulation Resistance: 500 Megohms min.

Physical

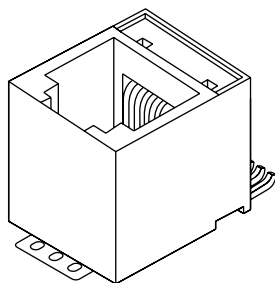
Housing: Black LCP, UL 94V-0
Contact: Brass
Plating: Post plate 1.27 to 1.52 μ m (50 to 60 μ "") Gold in contact area, 1.90 μ m (75 μ "") min. pure Tin in tail area both over Nickel overall

Circuits	Loaded Contacts	Order No.	Low Profile	Lead-free
4	4	95503-6451	No	Yes
6	4	95503-6651	No	
6	6	95503-6671	No	
8	8	95503-6891	No	
8	8	95503-6894	Yes	

Modular Jack

85513

**SMT, Vertical
Low Profile**



Features and Benefits

- Automatic vacuum placement possible
- Foot pattern identical to industry standard
- High reliability, square contact
- 0.10mm (.004") coplanarity

Reference Information

Product Specification: PS-95503
Packaging: Antistatic blister tape on 13, 15 or 22" reels
UL File No.: E107635
Mates With: FCC68 plugs
Designed In: Millimeters

Electrical

Voltage: 125V
Current: 1.5A
Contact Resistance: 20 milliohms max.
Dielectric Withstanding Voltage: 1000V
Insulation Resistance: 500 Megohms min.

Physical

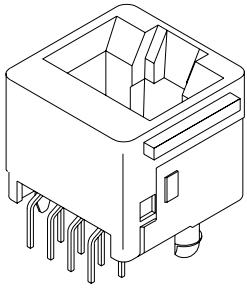
Housing: Black LCP, UL 94V-0
Contact: Brass
Plating:
Contact Area—Post plate 1.27 to 1.52m (50 to 60") Gold
Solder Tail Area—1.90m (75") min. pure Tin
Underplating—Nickel

Circuits	Loaded Contacts	Order No.			Lead-free
		13" Reel	15" Reel	22" Reel	
8	8	85513-5013	85513-5001	85513-5009	Yes
6	6	85513-5014	85513-5002	85513-5010	
6	4	85513-5015	85513-5003	85513-5011	
4	4	85513-5016	85513-5004	85513-5012	

Modular Jack

42878

**Vertical, Low Profile
For .062 and .125" PCB**



Features and Benefits

- Option of flush or flangeless mount
- Polarization option available for RJ-45
- Meets UL 1863 Section 8 Electrical Probe and UL 1863 Section 20 Childs Finger Test
- Contact tips guided within FCC-specified target zone—Positive alignment prevents shorting
- 100% tested for hi-pot and continuity
- .500" height is industry lowest

Reference Information

Product Specification: PS-42878
 Packaging: Tray
 UL File No.: E107635
 CSA File No.: LR19980
 Mates With: FCC 68 plugs
 Designed In: Inches

Electrical

Voltage: 125V
 Current: 1.5A
 Contact Resistance: 20 milliohms max.
 Dielectric Withstanding Voltage: 1000V AC
 Insulation Resistance: 500 Megohms min.

Mechanical

Durability: 500 cycles min.

Physical

Housing: Black glass-filled polyester, UL 94V-0
 Contact: Phosphor Bronze
 Plating: Contact Area—1.27µm (50µ") min. Gold
 Solder Tails—2.54µm (100µ") min. Tin,
 Nickel overall

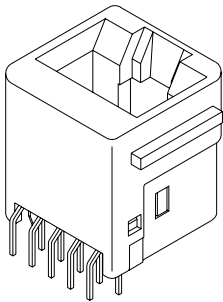
Circuits	Loaded Contacts	Order No.				Lead-free
		.062" PCB		.125" PCB		
		Flush Mount	Flangeless	Flush Mount	Flangeless	
4	4	42878-4216	42878-4218	42878-4264	42878-4266	Yes
6	4	42878-6360	42878-6362	42878-6408	42878-6410	
6	6	42878-6216	42878-6218	42878-6264	42878-6266	
8	8	42878-8408	42878-8410	42878-8504	42878-8506	

Note: Visit www.molex.com for polarization order numbers available on RJ-45 only.

Modular Jack

42410

**Vertical, Standard Profile
For .062 and .125" PCB**



Features and Benefits

- Option of flush or flangeless mount
- Keying option available for RJ-45
- Meets UL 1863 Section 8 Electrical Probe and UL 1863 Section 20 Childs Finger Test
- Contact tips guided within FCC-specified target zone—Positive alignment prevents shorting
- 100% tested for hi-pot and continuity

Reference Information

Product Specification: PS-42410
 Packaging: Tray
 UL File No.: E107635
 CSA File No.: LR19980
 Mates With: FCC 68 plugs
 Designed In: Inches

Electrical

Voltage: 125V
 Current: 1.5A
 Contact Resistance: 20 milliohms max.
 Dielectric Withstanding Voltage: 1000V AC
 Insulation Resistance: 500 Megohms min.

Mechanical

Durability: 500 cycles min.

Physical

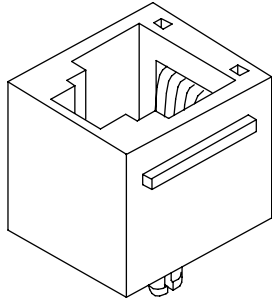
Housing: Black glass-filled polyester, UL 94V-0
 Contact: Phosphor Bronze
 Plating: Contact Area—1.27µm (50µ") min. Gold
 Solder Tails—2.54µm (100µ") min. Tin,
 Nickel overall

Circuits	Loaded Contacts	Order No.				Lead-free
		.062" PCB		.125" PCB		
		Flush Mount	Flangeless	Flush Mount	Flangeless	
6	4	42410-6312	42410-6314	42410-6408	42410-6410	Yes
6	6	42410-6168	42410-6170	42410-6264	42410-6266	
8	8	42410-8312	42410-8314	42410-8504	42410-8506	

Modular Jack

95522

Vertical Standard Profile



Features and Benefits

- High reliability, square contact
- Industry standard footprint and height

Reference Information

Product Specification: PS-95503-E
 Packaging: Tray
 UL File No.: E107635
 Mates With: FCC 68 plugs
 Designed In: Millimeters

Electrical

Voltage: 125V
 Current: 1.5A
 Contact Resistance: 20 milliohms max.
 Dielectric Withstanding Voltage: 1000V
 Insulation Resistance: 500 Megohms min.

Physical

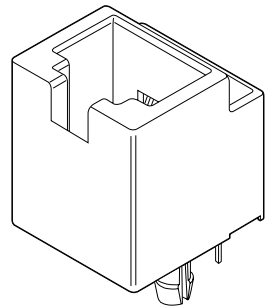
Housing: Black LCP, UL 94V-0
 Contact: Brass
 Plating: Post plate 1.27 to 1.52µm (50 to 60µ") Gold in contact area, 1.90µm (75µ") min. pure Tin in tail area both over Nickel overall

Circuits	Loaded Contacts	Order No.	Lead-free
4	4	95522-2447	Yes
6	4	95522-2647	
6	6	95522-2667	
8	8	95522-2887	

Modular Jack

95503

Vertical, Standard Profile With Small Panel Cutout



Features and Benefits

- Industry compatible
- Automatic placement on PC boards possible
- Foot patterns identical to industry standard jacks
- High reliability, square contact
- Low Profile 12.70mm (0.5")

Reference Information

Product Specification: PS-95503-E
 Packaging: Tray
 UL File No.: E107635
 Mates With: FCC 68 plugs
 Designed In: Millimeters

Electrical

Voltage: 125V
 Current: 1.5A
 Contact Resistance: 20 milliohms max.
 Dielectric Withstanding Voltage: 1000V
 Insulation Resistance: 500 Megohms min.

Physical

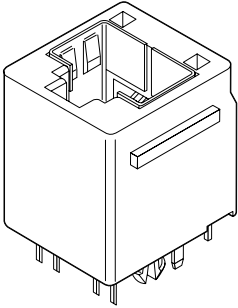
Housing: Black LCP, UL 94V-0
 Contact: Brass
 Plating: Post plate 1.27 to 1.52µm (50 to 60µ") Gold in contact area, 1.90µm (75µ") min. pure Tin in tail area both over Nickel overall

Circuits	Loaded Contacts	Order No.	Key	Low Profile	Lead-free
4	4	95503-2441	No	No	Yes
6	4	95503-2641	No	No	
6	6	95503-2661	No	No	
		95503-2881	No	No	
		95503-2882	Yes	No	
		95503-2884	No	Yes	

Modular Jack

95052

Vertical, Standard Profile Internal Shield



Features and Benefits

- High reliability, square contact
- EMI/RFI protection
- ISDN standard
- Industry standard footprint and height
- Shunt allows signal control and line check

Reference Information

Product Specification: PS-95040
Packaging: Tray
Mates With: FCC 68 plugs
Designed In: Millimeters

Electrical

Voltage: 125V
Current: 1.5A
Contact Resistance: 20 milliohms max.
Dielectric Withstanding Voltage: 1000V
Insulation Resistance: 500 Megohms min.

Physical

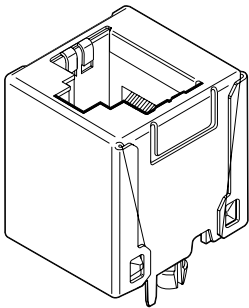
Housing: Black polyester, UL 94V-0
Contact: Phosphor Bronze
Plating: Post plate 1.27 to 1.52 μ m (50 to 60 μ "") Gold in contact area, 1.90 μ m (75 μ "") min. pure Tin in tail area both over Nickel overall

Circuits	Loaded Contacts	Order No.	Lead-free
8	8	95052-2887	Yes

Modular Jack

95623

Vertical, Standard Profile Shielded



Features and Benefits

- Fully-shielded connector
- Advanced EMI/RFI protection
- ISDN standard
- Industry standard footprint and height

Reference Information

Product Specification: PS-95622
Packaging: Tray
Mates With: FCC 68 plugs
Designed In: Millimeters

Electrical

Voltage: 125V
Current: 1.5A
Contact Resistance: 20 milliohms max.
Dielectric Withstanding Voltage: 1000V
Insulation Resistance: 500 Megohms min.
Shielding Effectiveness: 20 dB min.

Physical

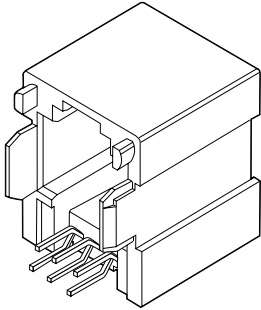
Housing: Black LCP, UL 94V-0
Contact: Brass
Plating: Post plate 1.27 to 1.52 μ m (50 to 60 μ "") Gold in contact area, 1.90 μ m (75 μ "") min. pure Tin in tail area both over Nickel overall

Circuits	Loaded Contacts	Order No.	Key	Lead-free
8	8	95623-2881	No	Yes

Modular Jack

95502

Bottom Entry
Low Profile



Features and Benefits

- Mates with FCC 68 plug
- Very low profile
- Bottom entry allows space saving in PCB-design

Reference Information

Product Specification: PS-95502-E
Packaging: Tray
UL File No.: E107635
Mates With: FCC 68 plugs
Designed In: Millimeters

Electrical

Voltage: 125V
Current: 1.5A
Contact Resistance: 20 milliohms max.
Dielectric Withstanding Voltage: 1000V
Insulation Resistance: 500 Megohms min.

Physical

Housing: Black LCP, UL 94V-0
Contact: Brass
Plating: Post plate 1.27 to 1.52 μ m (50 to 60 μ "") Gold in contact area, 1.90 μ m (75 μ "") min. pure Tin in tail area both over Nickel overall

Circuits	Loaded Contacts	Order No.	Lead-free
4	4	95502-2443	Yes
6	4	95502-2643	
6	6	95502-2663	
8	8	95502-2883	